

v60Ka2

65CM NEW MARITIME VSAT Antenna System



FEATURES

COMPACT AND LIGHTWEIGHT

The v60Ka2 is a 60 cm compact and lightweight Ka-Band VSAT antenna. The light weight of the antenna system (86 lbs/39 kg) provides an easy and convenient way to reduce installation time and cost. Despite being the smallest and lightest in Intellian VSAT, the v60Ka2 is a top-notch performer even in the harshest sea conditions.

SINGLE COAXIAL CABLE

The v60Ka2 combines RF, M&C, and DC power into a single coaxial cable. The single coaxial cable carries the Tx, Rx, DC power, and M&C and reference signals between the antenna and the ACU.

EMBEDDED DUAL ANTENNA MEDIATOR

Intellian's new ACU fully supports dual antenna operation without additional complexity and components such as a separate mediator and RF splitters. To enable Dual Antenna operations, only three cables (two RF and one Ethernet) need to be connected between the two antennas. Streamlined configuration of the dual antenna operation is done via AptusNX.

APTUSNX

AptusNX, Intellian's all new integrated M&C platform, provides a responsive user interface to manage antenna systems. It also has an intelligent diagnosis function for accurate and enhanced antenna monitoring, and provides detailed reports and measurement for convenient maintenance.

v60Ka 2 65cm New Maritime VSAT Antenna System

TECHNICAL SPECIFICATIONS

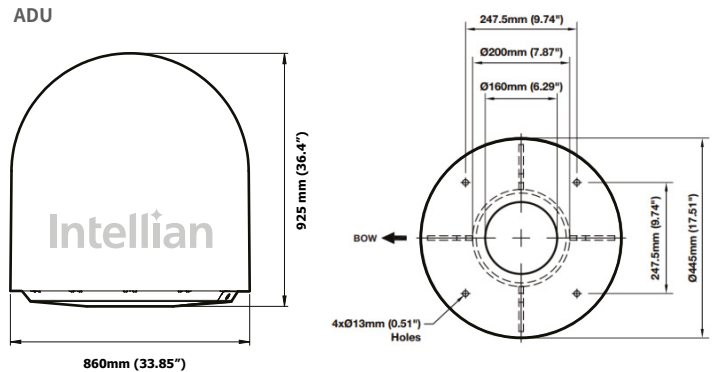
ABOVE DECK UNIT

Radome Height	92.5cm / 36.4"
Radome Diameter	86cm / 33.85"
Reflector Diameter	65cm / 25.59"
Weight	39kg / 86lbs
Azmuth Range	Unlimited
Elevation Range	-20° to 115°
Cross-level Range	±37°
Stabilization Accuracy	0.2° peak miss-pointing @max ship motion condition
Tx Frequency	29.0 ~ 30.0 GHz Ka band
Tx Gain	44.2 dBi @ 29.5 GHz (without radome)
Rx Frequency	19.2 ~ 20.2 GHz Ka band
Rx Gain	40.5 dBi @ 19.7 GHz (without radome)
G/T	>16.2 dB/K @ 19.7 GHz (w/ radome)
BUC Power	5W
Sidelobe	Meet FCC25.218
Polarization	Circular (Rx : LHCP, Tx : RHCP)
Antenna Cable	Single 50 ohm Coax Cable

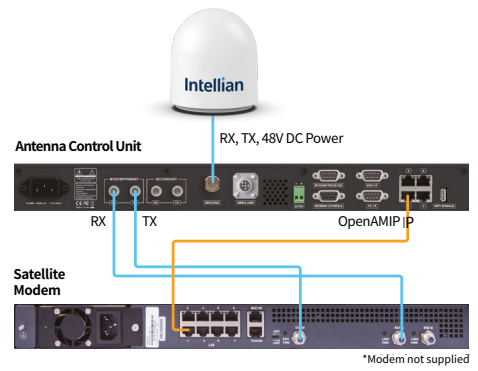
ANTENNA CONTROL UNIT

Dimensions (WxDxH)	43.1 cm x 35.0 cm x 4.4 cm / 17" x 13.8" x 1.7"
Weight	5.2kg / 11.5lbs
Display	OLED Display
Gyrocompass Interface	NMEA 2000, NMEA0183
Mediator Interface	Yes
Modem Protocol	iDirect, Comtech, SatLink, Hughes, GILAT, Newtec
Wi-Fi Operation	Yes (w/ Wi-Fi dongle)
Management Port	Yes
Intellian Lan Port	Yes
Power Requirement	100~240 VAC, 50~60Hz, 4A

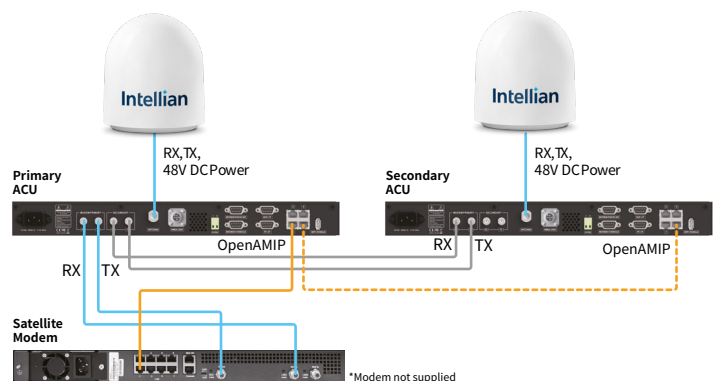
SYSTEM DIMENSION



SYSTEM DIAGRAM



SYSTEM DIAGRAM (DUAL ANTENNA)



Global HQ

Innovation Center
Intellian Technologies, Inc.
T +82 31 379 1000 F +82 31 377 6185

APAC

Seoul
Intellian Technologies, Inc.
T +82 2 511 2244 F +82 2 511 2235

Americas

Irvine
Intellian Technologies USA, Inc.
T +1 949 727 4498 F +1 949 271 4183
Toll Free +1 888-201-9223

EMEA

Rotterdam
Intellian B.V.
T +31 1 0820 8655 F +31 1 0820 8656